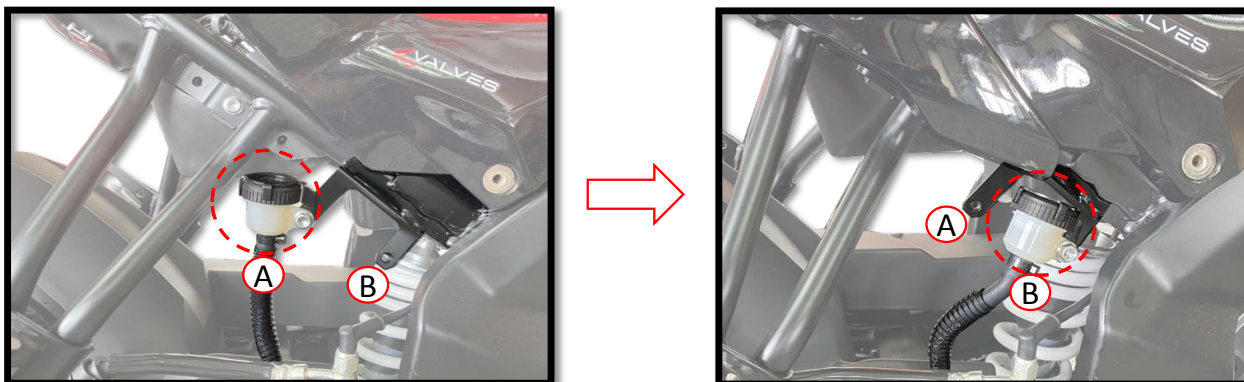
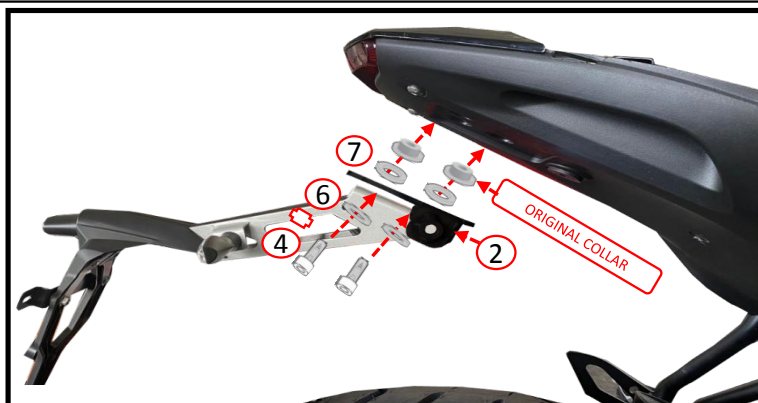


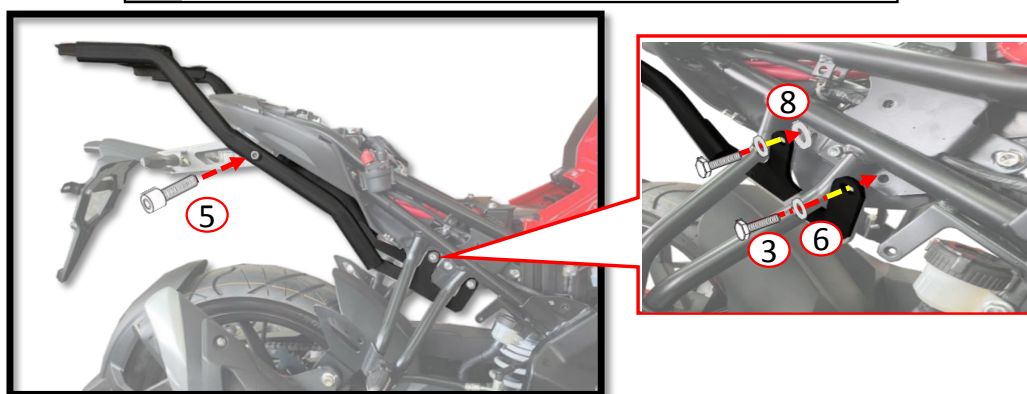
SRV-BENELLI 150S SRVK-BENELLI 150S SPECIAL ADVANCE RACK BENELLI 150S



1 Change position brake fluid reservoir from point A to B



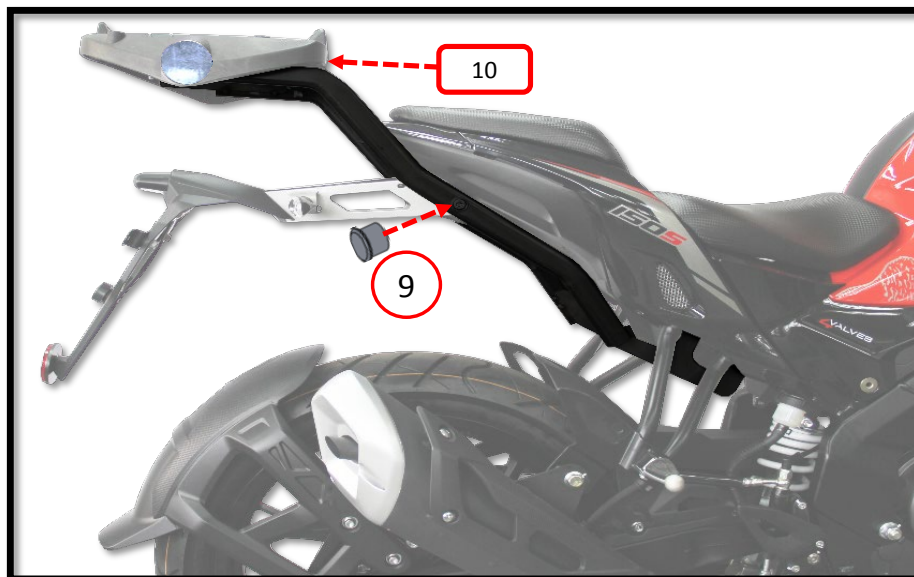
2 Install center support with mudguard



3 Open cover set and install the racking system

MOUNTING INSTRUCTIONS

SRV-BENELLI 150S SRVK-BENELLI 150S SPECIAL ADVANCE RACK BENELLI 150S



4

Install base plate and tight all the screw

WARNING

Once you have finished the coupling, check that the plate is fully horizontal.

No.	Parts Description	Quantity (pcs)
1	SR BENELLI 150S P.COATING-L/R (Part No. SR232(L)/(R)-PC)	1 PAIR
2	SR BENELLI 150S P.COATING C.SUPPORT (Part No. SRSC232-PC)	1 PCS
3	M6 HEXAGON BOLT (Part No. M6X25HEX(BZ))	 4 PCS
4	M6 ALLEN CAP SCREW (Part No. M6X30AC(BZ))	 4 PCS
5	M6 ALLEN CAP SCREW (Part No. M8X25AC(BZ))	 2 PCS
6	FLAT WASHER (Part No. WP6X17(BZ))	 8 PCS
7	COLLAR C22X8X4 (Part No. C2203(BZ))	 4 PCS
8	COLLAR C16X8X4 (Part No. C1601(BZ))	 2 PCS
9	M8CAP (Part No. Z801)	 2 PCS
10	PLATE + SCREW SETS (Part No. M5M / M5MK)	1 PCS

MOUNTING INSTRUCTIONS